

TECHNICAL DATA

VOLTAGES:

220V, 50Hz

Options: 100V/120V/200V/220V/230V/240V AC, 50/60Hz

POWER CONSUMPTION:

370W

LAMP:

| | |
|-------------------------------|------------------------|
| PHILIPS | MSD 250W/2 |
| Colour Temperature | 8500°K |
| Socket | GY9.5, single ended |
| Manufacturers Rated Lamp Life | 2000 Hours replacement |
| Or | |
| OSRAM | HSD 250/78 |
| Colour Temperature | 7800°K |
| Socket | GY9.5, single ended |
| Manufacturers Rated Lamp Life | 3000 Hours replacement |
| Or | |
| GE | CSD250/2/SE |
| Colour Temperature | 8500°K |
| Socket | GY9.5, single ended |
| Manufacturers Rated Lamp Life | 3000 Hours replacement |

COLOURS:

1 wheel with 12 dichroic colour filters plus white

With variable speed bi-directional rainbow effect

Step/linear colour changing is available

GOBOS:

1 Rotating gobo wheels:

7 interchangeable gobos+ white, glass or metal gobos can be fixed

Indexable, bi-directionally rotatable at variable speeds

1 Fixed gobo wheel :

10 interchangeable gobos+ white

bi-directional wheel scrolling at variable speeds

Gobo diameter: Φ 22.5mm

Gobo image diameter: Φ 17mm

PRISM

1x3 facet prism, bi-directionally rotatable at variable speeds

FOCUS:

DMX controlled focus

DIMMER:

0-100% linearly adjustable

SHUTTER:

Double shutter blades, 0.3~12 F.P.S

HEAD MOVEMENT:

Pan 540°, Tilt 270° with auto position correction

BEAM ANGLE:

16°

CONTROL:

DMX512, 3 pin, 5 pin interfaces

RDM control protocol

12 channels in short mode, 16 channels in standard mode, and 218channels in extended mode.

Master/Slave mode

Stand-alone mode

Self-test mode

OTHER FUNCTIONS:

Adjustable Pan & Tilt speed

Fixture and lamp usage time display

LED display with English language menu

Energy saving function of the ballast

Built-in analyzer for easy fault finding, error messages

Built-in demo sequences

Input signal isolating protection

HOUSING:

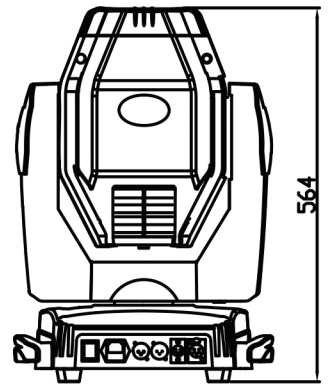
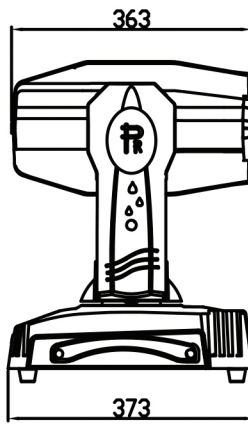
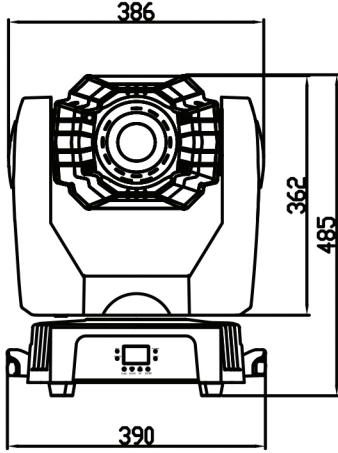
Composite plastic, IP20

WEIGHT:

22Kg

SIZES:

See at below



LIGHT OUTPUT:

